



Product Features

- Meets medical & I.T.E. safety
- 2 MOPP input to output isolation
- Touch current ≤ 100µA
- Energy efficiency level VI
- ≤ 0.075W standby power
- 9.0V-36V outputs, up to 36W
- 5,000m operating altitude
- Interchangeable AC plugs

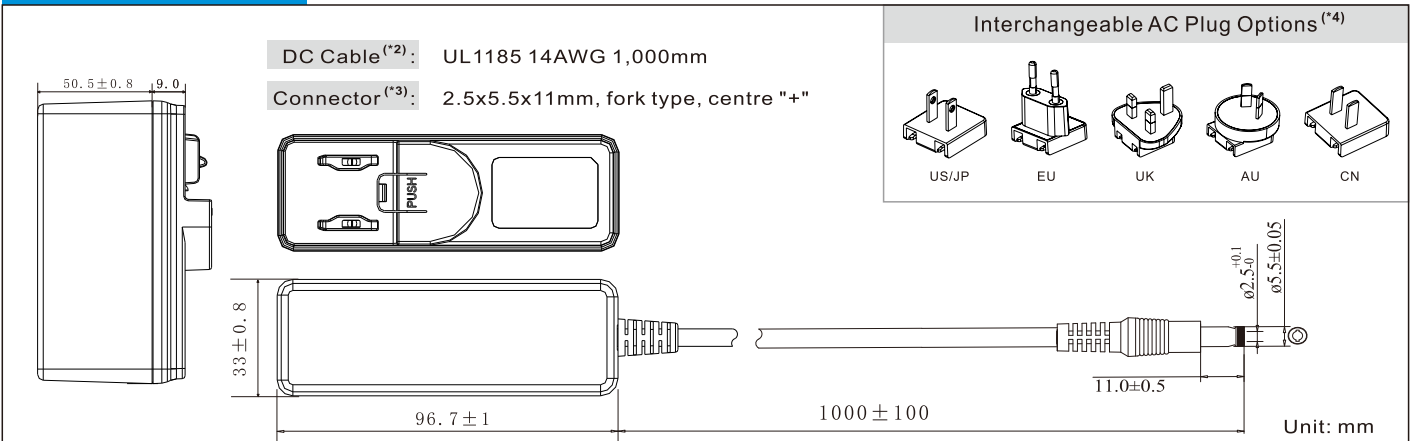


★★★★★

Models & Parameters

Model Number	Voltage ⁽¹⁾ (V)	Current (A)	Rated Power	Ripple & Noise (max)	Voltage Tolerance	Line & Load Regulation	Efficiency (Average)	Start Up Delay
UES36LCP-XXXXYYSPA UES36-XXXXYY-OP	9.0-10.0	0.01-4.00	36.00W	150mVpk-pk	±5%	Line: ±1% Load: ±5%	88.3%	≤3s
	10.1-11.0	0.01-3.56	36.00W	150mVpk-pk	±5%		88.3%	≤3s
	11.1-12.0	0.01-3.24	36.00W	150mVpk-pk	±5%		88.3%	≤3s
	12.1-13.0	0.01-2.97	36.00W	150mVpk-pk	±5%		88.3%	≤3s
	13.1-14.0	0.01-2.74	36.00W	150mVpk-pk	±5%		88.3%	≤3s
	14.1-15.0	0.01-2.55	36.00W	150mVpk-pk	±5%		88.3%	≤3s
	15.1-16.0	0.01-2.38	36.00W	150mVpk-pk	±5%		88.3%	≤3s
	16.1-17.0	0.01-2.23	36.00W	150mVpk-pk	±5%		88.3%	≤3s
	17.1-18.0	0.01-2.10	36.00W	150mVpk-pk	±5%		88.3%	≤3s
	18.1-19.0	0.01-1.98	36.00W	180mVpk-pk	±5%		88.3%	≤3s
	19.1-20.0	0.01-1.88	36.00W	180mVpk-pk	±5%		88.3%	≤3s
	20.1-21.0	0.01-1.79	36.00W	180mVpk-pk	±5%		88.3%	≤3s
	21.1-22.0	0.01-1.70	36.00W	180mVpk-pk	±5%		88.3%	≤3s
	22.1-23.0	0.01-1.62	36.00W	180mVpk-pk	±5%		88.3%	≤3s
	23.1-24.0	0.01-1.55	36.00W	180mVpk-pk	±5%		88.3%	≤3s
	24.1-25.0	0.01-1.49	36.00W	180mVpk-pk	±5%		88.3%	≤3s
	25.1-26.0	0.01-1.43	36.00W	180mVpk-pk	±5%		88.3%	≤3s
	26.1-27.0	0.01-1.37	36.00W	180mVpk-pk	±5%		88.3%	≤3s
	27.1-28.0	0.01-1.32	36.00W	180mVpk-pk	±5%		88.3%	≤3s
	28.1-29.0	0.01-1.28	36.00W	180mVpk-pk	±5%		88.3%	≤3s
29.1-30.0	0.01-1.23	36.00W	180mVpk-pk	±5%	88.3%	≤3s		
30.1-31.0	0.01-1.19	36.00W	180mVpk-pk	±5%	88.3%	≤3s		
31.1-32.0	0.01-1.15	36.00W	180mVpk-pk	±5%	88.3%	≤3s		
32.1-33.0	0.01-1.12	36.00W	180mVpk-pk	±5%	88.3%	≤3s		
33.1-34.0	0.01-1.08	36.00W	180mVpk-pk	±5%	88.3%	≤3s		
34.1-35.0	0.01-1.05	36.00W	180mVpk-pk	±5%	88.3%	≤3s		
35.1-36.0	0.01-1.02	36.00W	180mVpk-pk	±5%	88.3%	≤3s		

Mechanical Details



Notes
 (*1, 2, 3, 4) Other options are available, please contact our sales representative for details.

Input

Input Voltage Range	90-264VAC
Frequency Range	47-63Hz
Input Current	0.5A at 90VAC
Inrush Current	70A max at 240VAC cold start
Touch Leakage Current ^(max)	≤100μA at 264VAC

Environmental

Operating Temperature	0°C to 40°C	Dimensions	96.7(L)x33(W)x50.5(H)mm
Storage Temperature	-20°C to 60°C	Weight	230g
Operating Humidity	10% to 90% RH, non-condensing	MTBF	>100,000hrs MIL-HDBK-217 at 25°C
Storage Humidity	5% to 90% RH		
Operating Altitude	5,000m		

General
Protection

Overload	110-200% rated output power, auto recovery
Over Voltage	120-150% rated output voltage input to reset
Short Circuit	Trip and restart (hiccup mode)

Safety Approvals

Safety Agency / Mark	Medical	ITE
CB	IEC60601-1	IEC60950-1 IEC62368-1
UL	ANSI/AAMI ES60601-1	UL60950-1 UL62368-1
	CAN/CSA C22.2 NO. 60601-1	CAN/CSA C22.2 NO. 60950-1
TüV Rheinland/Mark	EN60601-1	-
TüV Rheinland/GS	-	EN60950-1 EN62368-1
RCM	-	AS/NZS 60950.1
PSE	-	J60950-1
CCC	-	GB4943.1
CE	-	EN62368
FCC	-	FCC PART 15
KC	-	K60950

EMC

Emission	Medical	ITE
Conduction	IEC/EN60601-1-2, CISPR 11	EN55032, CISPR 32
Radiation	IEC/EN60601-1-2, CISPR 11	EN55032, CISPR 32
Harmonic Currents	EN61000-3-2, Class A	EN61000-3-2, Class A
Voltage Flicker	EN61000-3-3	EN61000-3-3
Immunity	IEC/EN60601-1-2	EN55024, CISPR 24
ESD	IEC61000-4-2	±15kV air, ±8kV contact
Radiated Immunity	IEC61000-4-3	10V/m, 3V/m 80MHz - 2.7GMHz
EFT/Burst	IEC61000-4-4	±2kV on AC port, ±1kV on signal ports
Surge	IEC61000-4-5	±1kV line to line (different mode)
Conducted Immunity	IEC61000-4-6	3Vrms, 6Vrms (0.15MHz-80MHz)
Magnetic Field	IEC61000-4-8	30 A/m
Dips & Interruptions	IEC61000-4-11	0%, 70%, 0% of UT

Others

Dielectric Withstand Voltage	5,656VDC input to output
Insulation Resistance	10M Ohms, 500VDC input to output