


Product Features

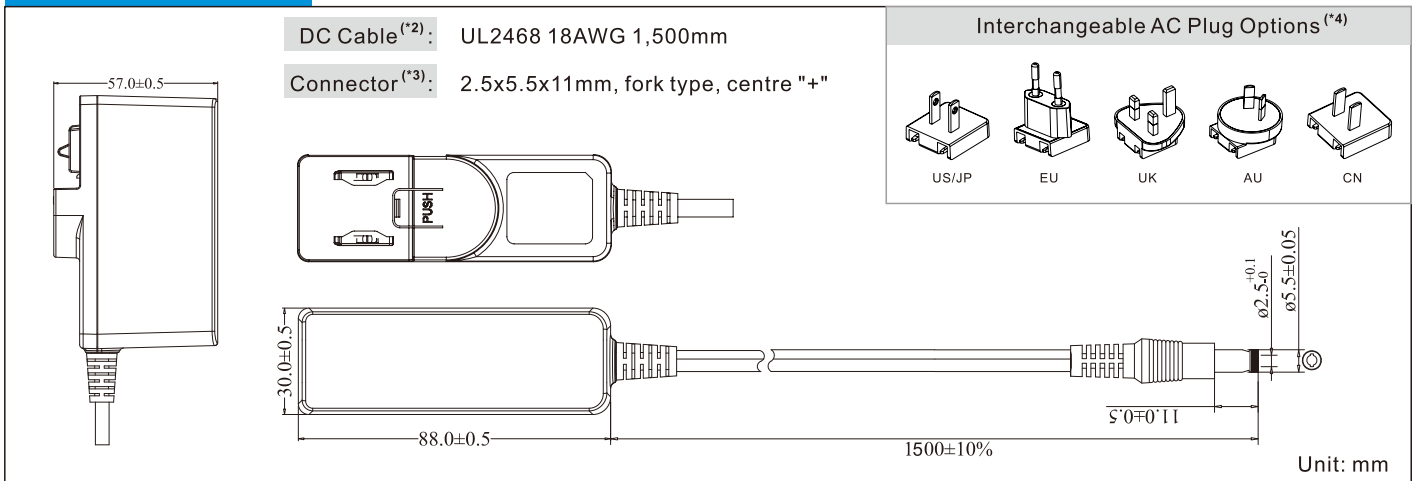
- Meets medical & I.T.E. safety
- 2 MOPP input to output isolation
- Touch current : $\leq 100\mu\text{A}$
- Energy efficiency level VI
- $\leq 0.075\text{W}$ standby power
- 6.1V-52V outputs, up to 24W
- Up to 5,000m operating altitude
- Interchangeable AC plugs



★★★★

Models & Parameters

Model Number	Voltage ^(*) (V)	Current (A)	Rated Power	Ripple & Noise (max)	Voltage Tolerance	Line & Load Regulation	Efficiency (Average)	Start Up Delay
UES24LCP-XXXXXXSPA UES24LCP-XXXXXXSPA-OP	6.1-7.0	0.01-3.00	21.00W	120mVpk-pk	±5%	Line: ±1% Load: ±5%	86.2%	≤3s
	7.1-8.0	0.01-2.62	21.00W	120mVpk-pk	±5%		86.2%	≤3s
	8.1-9.0	0.01-2.33	21.00W	150mVpk-pk	±5%		86.2%	≤3s
	9.1-10.0	0.01-2.10	21.00W	150mVpk-pk	±5%		86.2%	≤3s
	10.1-11.0	0.01-2.18	24.00W	150mVpk-pk	±5%		87.0%	≤3s
	11.1-12.0	0.01-2.00	24.00W	150mVpk-pk	±5%		87.0%	≤3s
	12.1-13.0	0.01-1.84	24.00W	200mVpk-pk	±5%		87.0%	≤3s
	13.1-14.0	0.01-1.71	24.00W	200mVpk-pk	±5%		87.0%	≤3s
	14.1-15.0	0.01-1.60	24.00W	200mVpk-pk	±5%		87.0%	≤3s
	15.1-16.0	0.01-1.50	24.00W	200mVpk-pk	±5%		87.0%	≤3s
	16.1-17.0	0.01-1.41	24.00W	200mVpk-pk	±5%		87.0%	≤3s
	17.1-18.0	0.01-1.33	24.00W	200mVpk-pk	±5%		87.0%	≤3s
	18.1-19.0	0.01-1.26	24.00W	200mVpk-pk	±5%		87.0%	≤3s
	19.1-20.0	0.01-1.20	24.00W	240mVpk-pk	±5%		87.0%	≤3s
	20.1-21.0	0.01-1.14	24.00W	240mVpk-pk	±5%		87.0%	≤3s
	21.1-22.0	0.01-1.09	24.00W	240mVpk-pk	±5%		87.0%	≤3s
	22.1-23.0	0.01-1.04	24.00W	240mVpk-pk	±5%		87.0%	≤3s
	23.1-24.0	0.01-1.00	24.00W	240mVpk-pk	±5%		87.0%	≤3s
	45.1-46.0	0.01-0.52	24.00W	300mVpk-pk	±5%		87.0%	≤3s
	46.1-47.0	0.01-0.51	24.00W	300mVpk-pk	±5%		87.0%	≤3s
47.1-48.0	0.01-0.50	24.00W	300mVpk-pk	±5%	87.0%	≤3s		
48.1-49.0	0.01-0.48	24.00W	300mVpk-pk	±5%	87.0%	≤3s		
49.1-50.0	0.01-0.48	24.00W	300mVpk-pk	±5%	87.0%	≤3s		
50.1-51.0	0.01-0.47	24.00W	300mVpk-pk	±5%	87.0%	≤3s		
51.1-52.0	0.01-0.46	24.00W	300mVpk-pk	±5%	87.0%	≤3s		

Mechanical Details


Notes
 (*1, 2, 3, 4) Other options are available, please contact our sales representative for details.

Input

Input Voltage Range	90-264VAC
Frequency Range	47-63Hz
Input Current	0.5A at 90VAC
Inrush Current	70A max at 240VAC cold start
Touch Leakage Current ^(max)	≤100μA at 264VAC

Environmental

Operating Temperature	0°C to 45°C	Dimensions	88(L)x30(W)x57(H)mm
Storage Temperature	-20°C to 60°C	Weight	170g
Operating Humidity	10% to 90% RH, non-condensing	MTBF	>100,000hrs MIL-HDBK-217 at 25°C
Storage Humidity	5% to 90% RH		
Operating Altitude	5,000m		

General
Protection

Overload	110-200% rated output power, auto recovery
Over Voltage	120-150% rated output voltage input to reset
Short Circuit	Trip and restart (hiccup mode)

Safety Approvals

Safety Agency / Mark	Medical	ITE
CB	IEC60601-1	IEC60950-1 IEC62368-1
UL	ANSI/AAMI ES60601-1 CAN/CSA C22.2 NO. 60601-1	UL60950-1 UL62368-1 CAN/CSA C22.2 NO. 60950-1
TüV Rheinland/Mark	EN60601-1	-
TüV Rheinland/GS	-	EN60950-1 EN62368-1
RCM	-	AS/NZS 62368.1
CE	-	EN62368
CCC	-	GB4943.1
PSE	-	J60950 J62368
KC	-	K60950-1
FCC	-	FCC PART 15

EMC

Emission	Medical	ITE
Conduction	IEC/EN60601-1-2, CISPR 11	EN55032, CISPR 32
Radiation	IEC/EN60601-1-2, CISPR 11	EN55032, CISPR 32
Harmonic Currents	EN61000-3-2, Class A	EN61000-3-2, Class A
Voltage Flicker	EN61000-3-3	EN61000-3-3
Immunity	Medical	ITE
ESD	IEC61000-4-2	EN55024, CISPR 24
Radiated Immunity	IEC61000-4-3	
EFT/Burst	IEC61000-4-4	
Surge	IEC61000-4-5	
Conducted Immunity	IEC61000-4-6	
Magnetic Field	IEC61000-4-8	
Dips & Interruptions	IEC61000-4-11	

Others

Dielectric Withstand Voltage	5,656VDC input to output
Insulation Resistance	10M Ohms, 500VDC input to output