



IP42 Class II (V)

### Product Features

- Meets medical & I.T.E. safety
- 2 MOPP input to output isolation
- Touch current  $\leq 10\mu\text{A}$
- Energy efficiency level VI
- $\leq 0.075\text{W}$  standby power
- 4.2V-12V outputs, up to 6W
- Up to 5,000m operating altitude
- Interchangeable AC plugs



### Models & Parameters

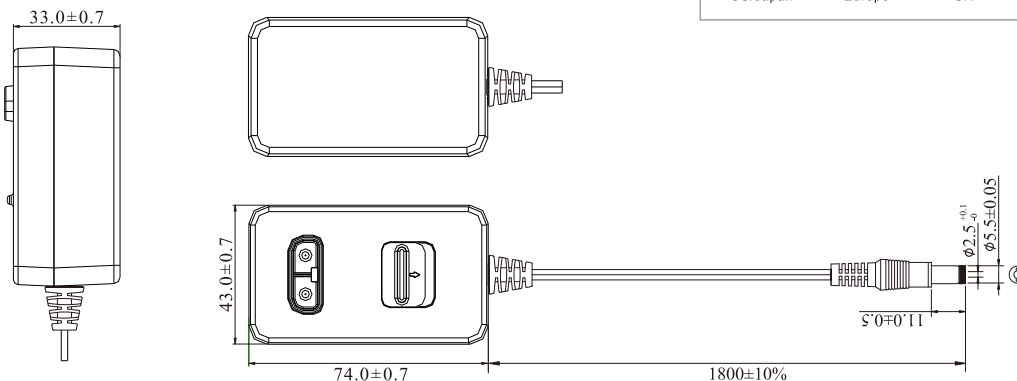
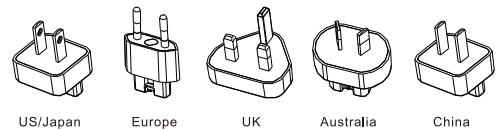
Model Number	Voltage <sup>(*)</sup> (V)	Current (A)	Rated Power	Ripple & Noise (max)	Voltage Tolerance	Line & Load Regulation	Efficiency (Average)	Start Up Delay
UES06WNCP1-XXXXYYSPA	4.2	0.01-1.20	5.04W	200mVpk-pk	$\pm 5\%$	Line: $\pm 1\%$ Load: $\pm 5\%$	73.83%	$\leq 3\text{s}$
	5.0-6.0	0.01-1.00	6.00W	150mVpk-pk	$\pm 5\%$		73.77%	$\leq 3\text{s}$
	6.1-7.0	0.01-0.86	6.00W	150mVpk-pk	$\pm 5\%$		78.16%	$\leq 3\text{s}$
	7.1-8.0	0.01-0.75	6.00W	200mVpk-pk	$\pm 5\%$		78.26%	$\leq 3\text{s}$
	8.1-8.9	0.01-0.67	6.00W	200mVpk-pk	$\pm 5\%$		78.38%	$\leq 3\text{s}$
	9.0-10.0	0.01-0.60	6.00W	200mVpk-pk	$\pm 5\%$		78.35%	$\leq 3\text{s}$
	10.1-11.0	0.01-0.54	6.00W	200mVpk-pk	$\pm 5\%$		78.42%	$\leq 3\text{s}$
	11.1-12.0	0.01-0.50	6.00W	200mVpk-pk	$\pm 5\%$		78.53%	$\leq 3\text{s}$

### Mechanical Details

DC Cable<sup>(\*)</sup>: UL2468 18AWG 1,800mm for 6 - 8V  
UL2468 22AWG 1,800mm for 4.2 - 5V, 9 - 12V

Connector<sup>(\*)</sup>: 2.5x5.5x11mm, fork type, centre "+"

#### Interchangeable AC Plug Options<sup>(\*)</sup>



Unit: mm

#### Notes

(\*1, 2, 3, 4) Other options are available, please contact our sales representative for details.

**Input**

Input Voltage Range	80-264VAC
Frequency Range	47-63Hz
Input Current	0.2A at 90VAC
Inrush Current	30A max at 240VAC cold start
Touch Leakage Current <sup>(max)</sup>	≤10μA at 264VAC

**Environmental**

Operating Temperature	0°C to 45°C
Storage Temperature	-20°C to 60°C
Operating Humidity	10% to 90% RH, non-condensing
Storage Humidity	5% to 90% RH
Operating Altitude	5,000m

**General**

Dimensions	74.0(L)x43.0(W)x33.0(H)mm
Weight	85g
MTBF	>100,000hrs MIL-HDBK-217 at 25°C

**Protection**

Overload	120-150% rated output power, auto recovery
Over Voltage	120-150% rated output voltage input to reset
Short Circuit	Trip and restart (hiccup mode)

**Safety Approvals**

Safety Agency / Mark	Medical	ITE
CB	IEC60601-1 / IEC60601-1-11	IEC62368-1
UL	ANSI/AAMI ES60601-1 / 60601-1-11 CAN/CSA C22.2 NO. 60601-1	UL62368-1 -
TüV-Mark	EN60601-1 / 60601-1-11	-
TüV Rheinland-GS	-	EN62368-1
RCM	-	AS/NZS 62368
CCC	-	GB4943.1
PSE	-	J62368
KC	-	K60950-1
CE	-	EN62368
FCC	-	FCC PART 15

**EMC**

Emission	Medical	ITE
Conduction	IEC/EN60601-1-2, CISPR 11	EN55032, CISPR 32
Radiation	IEC/EN60601-1-2, CISPR 11	EN55032, CISPR 32
Harmonic Currents	EN61000-3-2, Class A	EN61000-3-2, Class A
Voltage Flicker	EN61000-3-3	EN61000-3-3
Immunity	IEC/EN60601-1-2	EN55024, CISPR 24
ESD	IEC61000-4-2	±15KV air, ±8KV contact
Radiated Immunity	IEC61000-4-3	10V/m, 3V/m 80MHz - 2700MHz
EFT/Burst	IEC61000-4-4	±2KV on AC port, ±1KV on signal ports
Surge	IEC61000-4-5	±1KV line to line (different mode)
Conducted Immunity	IEC61000-4-6	3Vrms, 6Vrms (0.15MHz-80MHz)
Magnetic Field	IEC61000-4-8	30 A/m
Dips & Interruptions	IEC61000-4-11	0%, 70%, 0% of UT

**Others**

Dielectric Withstand Voltage	5,656VDC input to output
Insulation Resistance	10M Ohms, 500VDC input to output