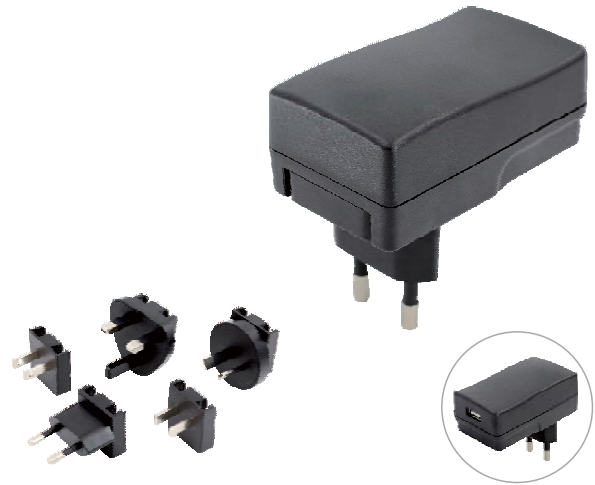


CE CB
Universal 5 Watt - UE05WCPU-SPA

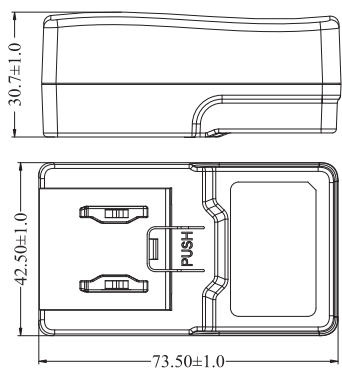
 Class II 
Product Features

- Medical & I.T.E. safety approvals
- 2 MOPP input to output isolation
- Energy Efficiency level V
- Leakage current $\leq 100\mu\text{A}$
- $\leq 0.3\text{W}$ standby power
- 5V output, up to 5W
- Up to 5,000m operating altitude

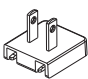
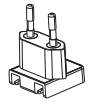
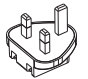
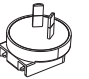
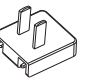

Models & Ratings

Model Number	Voltage (V) ^(*1)	Current (A)	Rated Power	Ripple & Noise (max) ^(*2)	Voltage Tolerance	Line & Load Regulation	Efficiency (Average)	Start Up Delay
UE05WCPU-XXXXYYSPA	5.0	0.01-1.00	5.00W	200mVpk-pk	$\pm 8\%$	Line: $\pm 5\%$	68.17%	$\leq 3\text{s}$

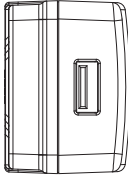
Mechanical Details



Interchangeable AC Plug Options^(*3)

US/Japan
Europe
UK
Australia
China



Unit: mm

Notes

(*1, 3) Other options are available, please contact our sales representative for details.

(*2) Measured at output connector with 20MHz bandwidth and 0.1uF ceramic in parallel with 47uF electrolytic capacitors

Input

Input Voltage Range	90-264VAC
Frequency Range	47-63Hz
Input Current	0.35A at 100VAC
Inrush Current	50A max at 240VAC cold start
Touch Leakage Current ^(max)	≤100μA at 264VAC

Environmental

Operating Temperature	0°C to 45°C
Storage Temperature	-20°C to 60°C
Operating Humidity	10% to 90% RH, non-condensing
Storage Humidity	5% to 90% RH
Operating Altitude	5,000m

General

Dimensions	73.5(L)x42.5(W)x30.7(H)mm
Weight	55g
MTBF	>100,000hrs MIL-HDBK-217 at 25°C

Protection

Overload	110-300% rated output power, auto recovery
Over Voltage	200% Max output voltage input to reset
Short Circuit	Trip and restart (hiccup mode)

Safety Approvals

Safety Agency / Mark	Medical(Meet)	ITE(Meet)
CE	-	EN62368-1
CB	IEC60601-1	IEC60950-1 IEC62368-1

EMC

Emission	Medical	ITE
Conduction	IEC/EN60601-1-2, CISPR 11	EN55032, CISPR 32
Radiation	IEC/EN60601-1-2, CISPR 11	EN55032, CISPR 32
Harmonic Currents	EN61000-3-2, Class A	EN61000-3-2, Class A
Voltage Flicker	EN61000-3-3	EN61000-3-3
Immunity	IEC/EN60601-1-2	En55035, CISPR 35
ESD	IEC61000-4-2 ±15KV air, ±8KV contact	
Radiated Immunity	IEC61000-4-3 10V/m, 3V/m 80MHz - 2.7GMHz	
EFT/Burst	IEC61000-4-4 ±2KV on AC port, ±1KV on signal ports	
Surge	IEC61000-4-5 ±1KV line to line (different mode)	
Conducted Immunity	IEC61000-4-6 3Vrms, 6Vrms (0.15MHz-80MHz)	
Magnetic Field	IEC61000-4-8 30 A/m	
Dips & Interruptions	IEC61000-4-11 0%, 70%, 0% of UT	

Others

Dielectric Withstand Voltage	5,656VDC input to output
Insulation Resistance	10M Ohms, 500VDC input to output